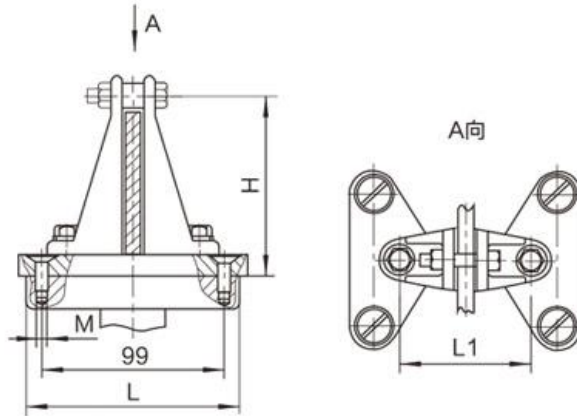
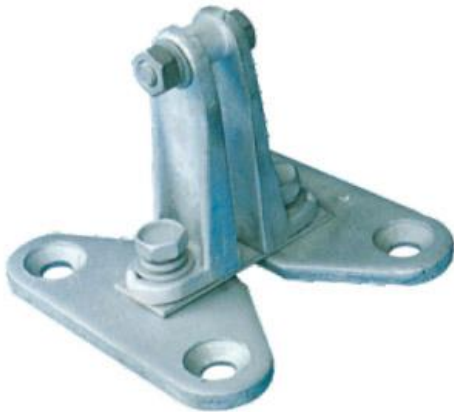


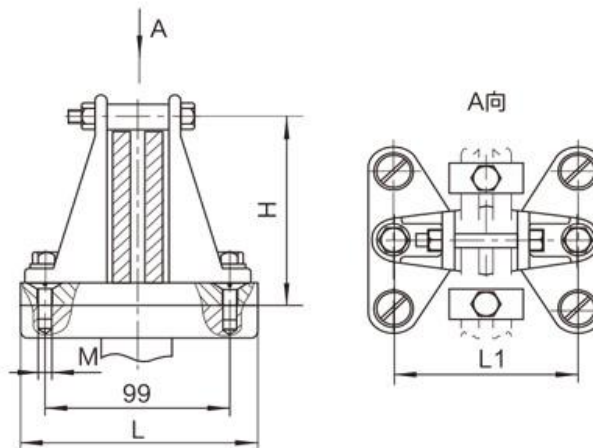
Overview

The body is aluminum alloy, the other parts are hot-dip galvanized steel.



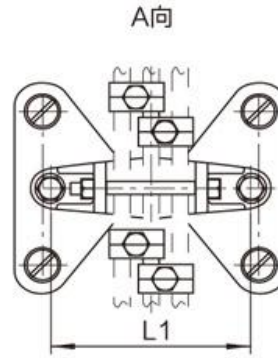
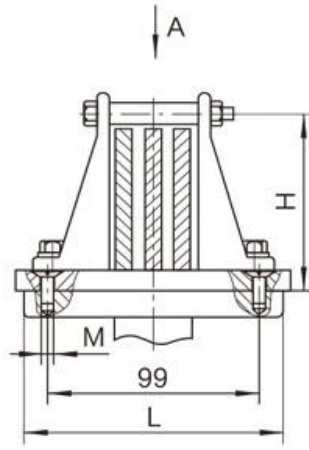
Catalog No.	Bus width(mm)	Main Dimensions(mm)				WeigHt (kg)
		H	L	L1	M	
MWL-101	63	82	140	60	12	2.1
MWL-102	80	100	140	60	12	2.2
MWL-103	100	120	140	60	12	2.3
MWL-104	125	145	140	60	12	2.3

The body is aluminum alloy, the spacer is aluminium, the other parts are hot-dip galvanized steel.



Catalog No.	Bus width(mm)	Main Dimensions(mm)				WeigHt (kg)
		H	L	L1	M	
MWL-201	63	82	140	80	12	2.2
MWL-202	80	100	140	80	12	2.3
MWL-203	100	120	140	80	12	2.3
MWL-204	125	145	140	80	12	2.4

The body is aluminum alloy, the spacer is aluminium, the other parts are hot-dip galvanized steel.



Catalog No.	Bus width(mm)	Main Dimensions(mm)				Weight (kg)
		H	L	L1	M	
MWL-301	63	82	140	100	12	2.2
MWL-302	80	100	140	100	12	2.3
MWL-303	100	120	140	100	12	2.3
MWL-304	125	145	140	100	12	2.4